



**CORPELIMA S.A.C.**  
CORPELIMA S.A.C.

## DEFENDER-S



UL844

Class I Division 1, Group C, D  
Class I Division 2, Group A, B, C, D  
Class II Division 2, Group F, G

Class III

UL1598A

Ex d IIB T6 Gb/Ex tb IIIC T85°C Db



E484972



# FEATURES



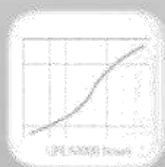
Defender-S explosion-proof light uses simple profile, separated chamber for driver and light source makes brilliant heat dissipation and ensures longer lifespan.



Die casting aluminum alloy ensures high body intensity and excellent thermal dissipation performance, makes better heat dissipation and less lumen depreciation.



5 Years Warranty



Long Life  
50000 Hours



IP 66

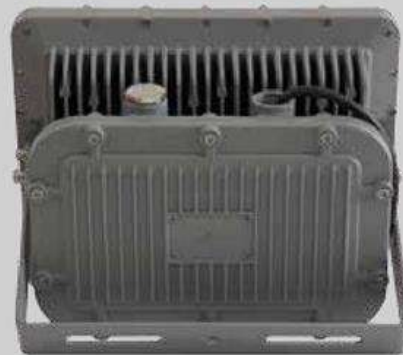
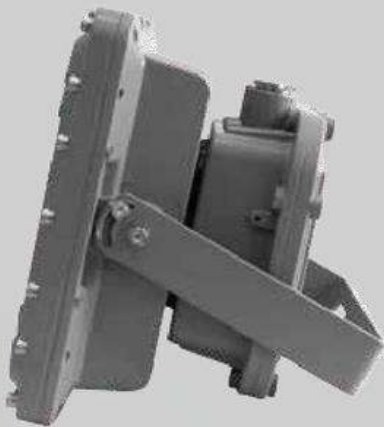


130lm/w

# FEATURES



Optional lens avail with various light distribution and applicable in different locations.



Adjustable mounting bracket makes flexible and convenient installations.



0-180 ° adjustable bracket



Multi-angle optical lens



Quality stainless steel nameplate



Ceiling, wall-mounted bracket

# INSTALLATION

## Installation:

The mounting bracket is for the use of wall/ceiling/floor mounting.

Position the mounting bracket and fix it by means of two M6 and two M8 hexagon bolts with spring lock washers.

Secure the wall/ceiling/floor mounting bracket to the structure by using screws (not provided). (Figure 1)

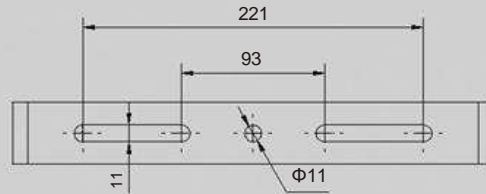


Fig.1

## Ceiling Type

The luminaire can be adjusted facing down 90° from vertical = Lens horizontal facing down on ceiling position. (Figure 2).

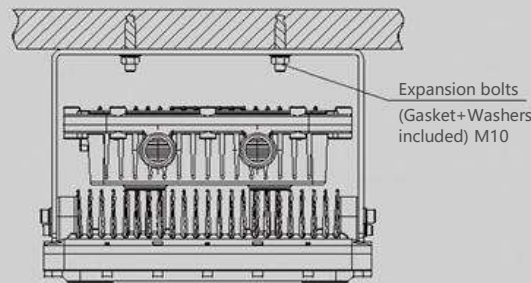


Fig.2

## Wall/floor Type

The luminaire can be adjusted up and down by 45° on wall/floor position only. (Figure 3).

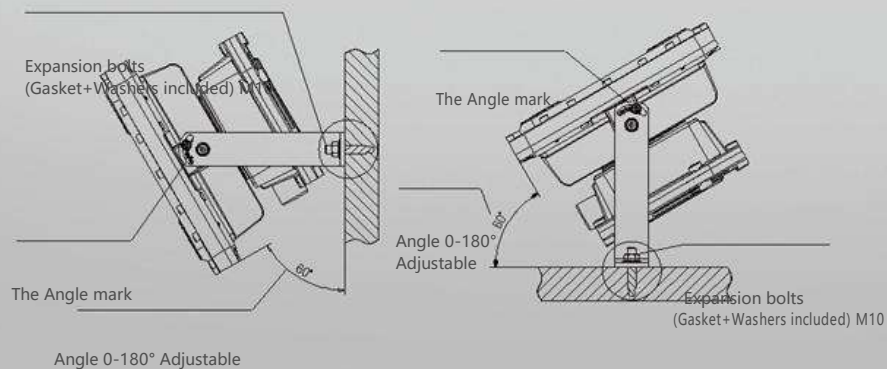


Fig.3

# PARAMETER

Technical Parameter	Specifica on	IE-DF-80W	IE-DF-100W	IE-DF-150W
Electrical	Rated Power	80W	100W	150W
	Input Voltage	100-240/277, 200-480 Vac		
	Input Frequency	50/60Hz		
	Output Voltage	DC36		
	Power Factor	≥0.95		
	Driver Efficiency	≥90%		
	DC output Ripple &	<200mVP-P		
	Noise Driver brand	Meanwell		
Op cal	LED chip brand	Cree		
	Lumen Output	10400Lm	13000Lm	19500Lm
	Lumens per Wa	130Lm/W		
	Beam Angle	25°/60°/120°		
	Correlated Color Temperature (CCT)	5000K		
Environmental	Color Rendering Index (CRI)	Ra>70		
	Ambient Opera ng Humidity	10%~90% RH		
	Ambient Opera ng Temperature	-40°C~ +60°C		
	Op mal Opera ng Temperature	25°C (77°F)		
	Atmospheric pressure	86~106KPa		
	Al tude of installa on site	<2000m		
	Installa on site	No severe vibra on, shock or shake		
Mechanical	Housing Material	ADC12		
	Lens Material	Tempered glass		
	Moun g Op ons	Ceiling type /Wall type/Floor type		
	IP Ra ng	3G		
	Vibra on	IP66		
	IK Ra ng	IK08		
Packing	Net weight	15kg/33.1lbs	15kg/33.1lbs	16.5kg/36.4lbs
	Dimensions (L×W×H)	335×280×176 mm 13.2×11×6.9in		
	Total weight (KG)	16kg/35.3lbs	16kg/35.3lbs	17.5kg/38.6lbs
Warranty	Dimensions (L×W×H)	370×362×245 mm 14.6×14.3×9.64in		
	Warranty	5-Year & L70@50,000Hrs		
Cer fica on	UL844/UL1598/UL1598A/IECEX/FCC/DLC Premium			

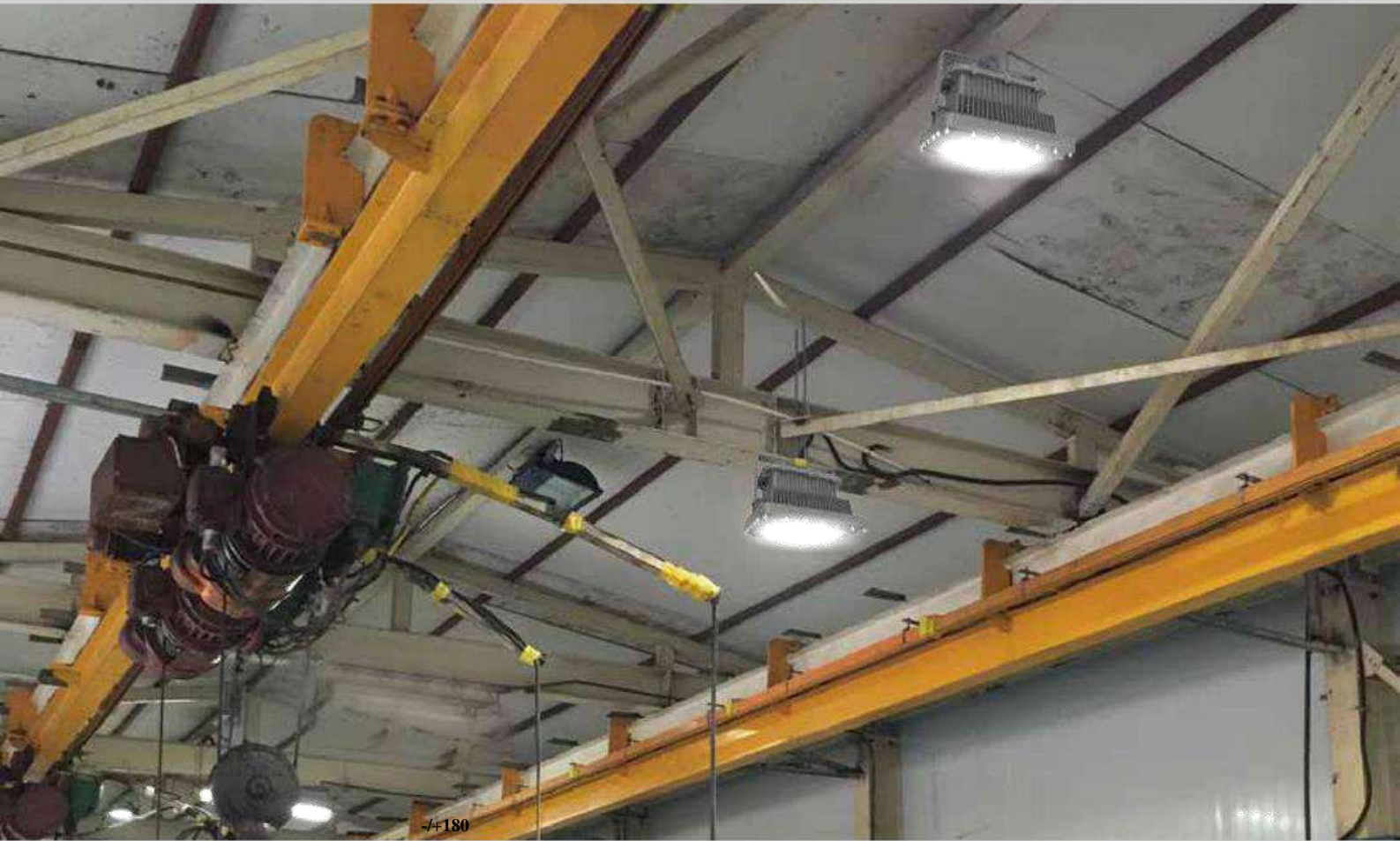
specifications subject to change



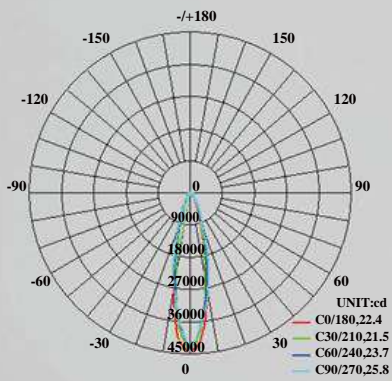
Calle 55 Mz. WW2 Lote 13 Urb. La Floresta de Pro Los Olivos Lima - Perú  
 Tel Fijoo: 299-8421 Cel: 998099460 964683004 Rpm: #998099460 #964683004  
 Correo: corpelima@gmail.com contacto@corporacionelectricalima.com  
 www.corporacionelectricalima.com

## CORPELIMA S.A.C.

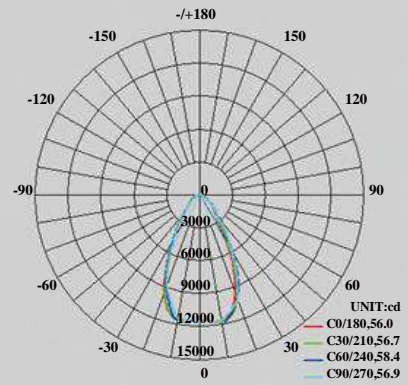
# APPLICATION



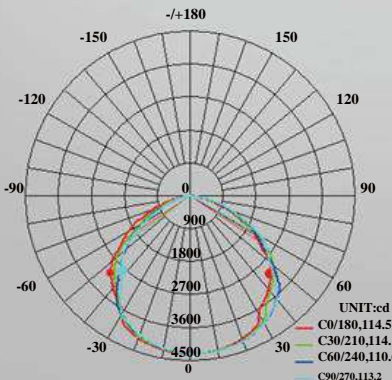
-150                      +/-180                      150



AVERAGE BEAM ANGLE(50%):23.4 DEG



AVERAGE BEAM ANGLE(50%):57.0 DEG



AVERAGE BEAM ANGLE(50%):113.1 DEG

